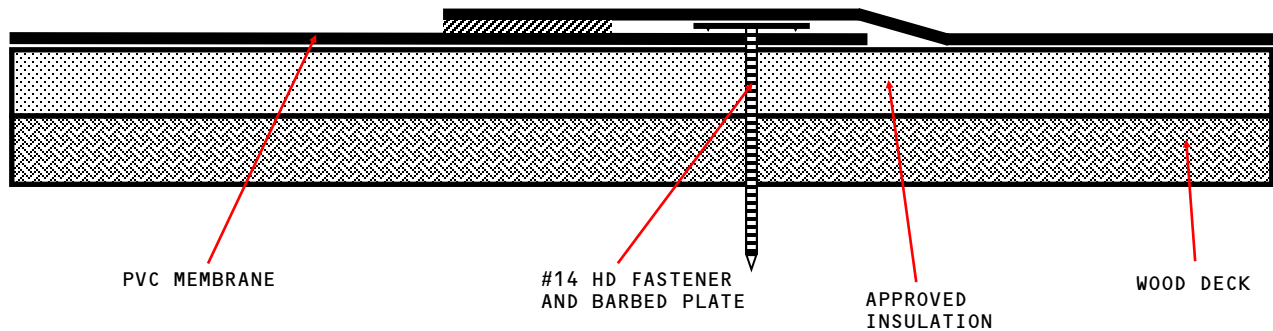




PHOENIX
PRODUCTS™

MF-IN-W
Quick Spec

MECHANICALLY FASTENED MEMBRANE - INSULATION - WOOD DECK (NEW OR TEAR OFF)



APPROVED INSULATION: UL CLASSIFIED POLYISOCYANURATE INSULATION.

NOTES:

1. Minimum thickness requirements may exist depending on insulation type. Please contact the Phoenix Products Technical Department for requirements if necessary.
2. Attach Insulation with #12 or #14 HD Fasteners and 3" Steel Insulation Plate. Refer to Detail Drawing "Fastening Pattern Insulation/Coverboard MF-7".