

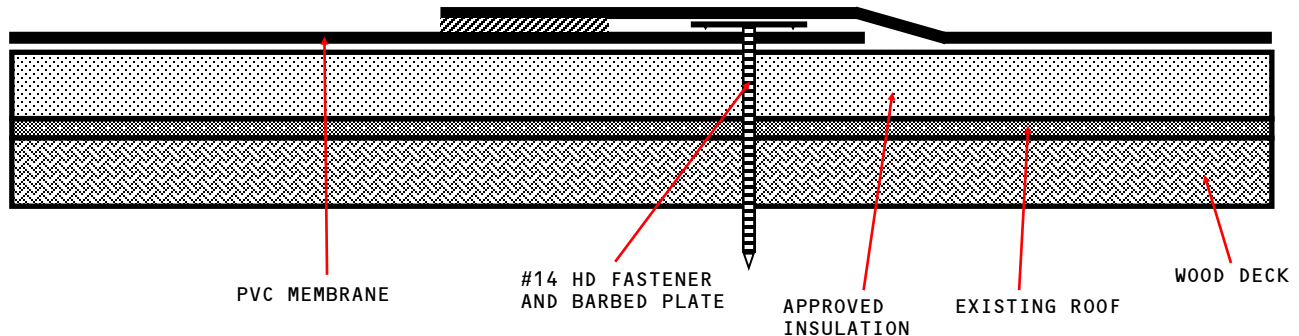


PHOENIX
PRODUCTS™

MF-IN-EX-W

Quick Spec

MECHANICALLY FASTENED MEMBRANE - INSULATION - EXISTING ROOF - WOOD DECK (RECOVER)



APPROVED INSULATION: UL CLASSIFIED POLYISOCYANURATE INSULATION.

NOTES:

1. Minimum thickness requirements may exist depending on insulation type. Please contact the Phoenix Products Technical Department for requirements if necessary.
2. Attach Insulation with #12 or #14 HD Fasteners and 3" Steel Insulation Plate. Refer to Detail Drawing "Fastening Pattern Insulation/Coverboard MF-7".
3. Existing Roof types may vary and not all are acceptable. Please contact the Phoenix Technical Department for approval on layover projects prior to installation.
4. There maybe slope restrictions regarding Fire Ratings. Please contact the Phoenix Technical Department for Fire Rating restrictions if required.