

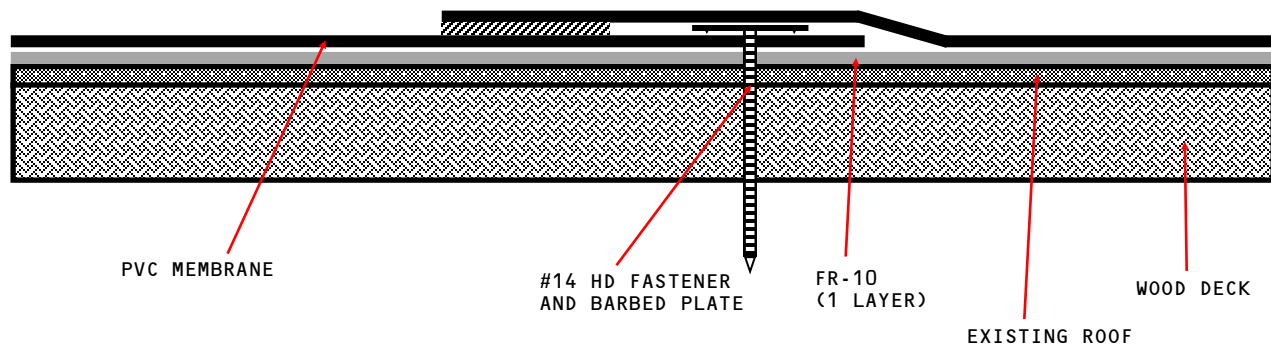


PHOENIX
PRODUCTS™

MF-1FR-EX-W

Quick Spec

MECHANICALLY FASTENED MEMBRANE - 1 LAYER FR-10 - EXISTING - WOOD DECK (RECOVER)



NOTES:

1. Spot attach FR-10 with #14 Fastener and Plate to prevent fluttering under the membrane.
2. Plastic simplex nails are not allowed to fasten FR-10.
3. Existing Roof types may vary and not all are acceptable. Please contact the Phoenix Technical Department for approval on layover projects prior to installation.
4. There maybe slope restrictions regarding Fire Ratings. Please contact the Phoenix Technical Department for Fire Rating restrictions if required.